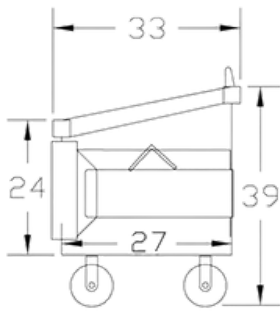
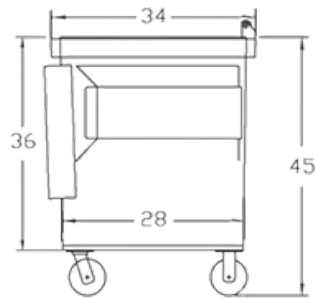


FRONT LOAD DIMENSIONS

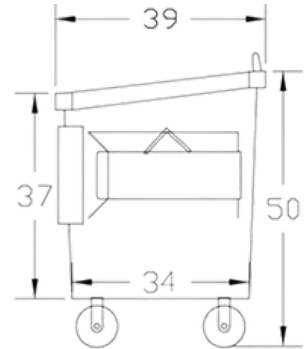
STACKABLE



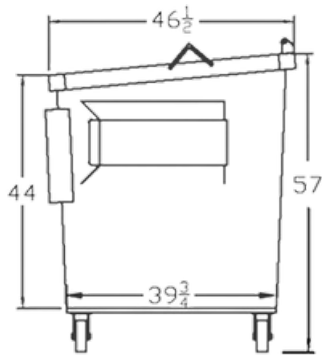
1 Yard



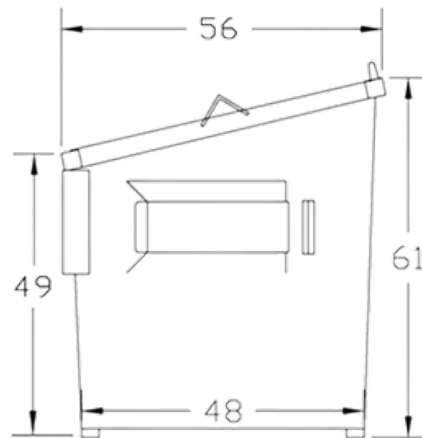
1.5 Yard



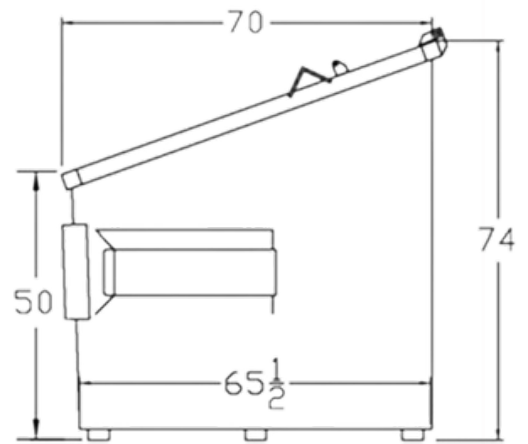
2 Yard



3 Yard



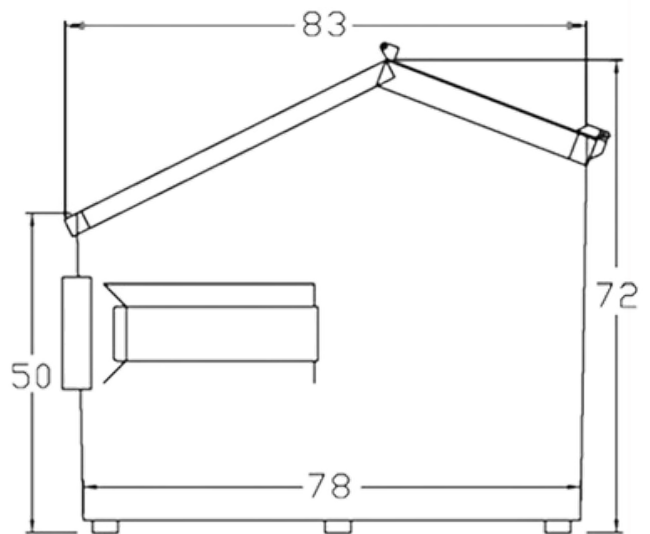
4 Yard



6 Yard



6 YARD FRONT LOAD
STACKABLE



8 Yard

Outside container width: including pockets: 84"

Casters increase container height by 8 3/4"



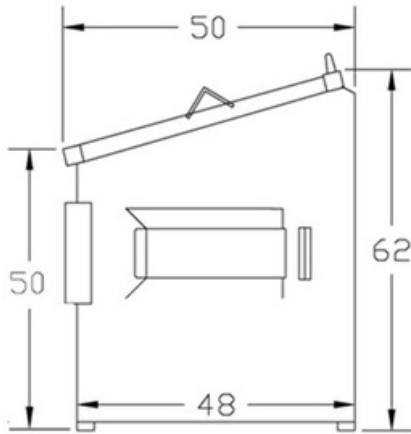
209 E. North Street, Poynette, WI, 53955

Phone: 608-635-7228

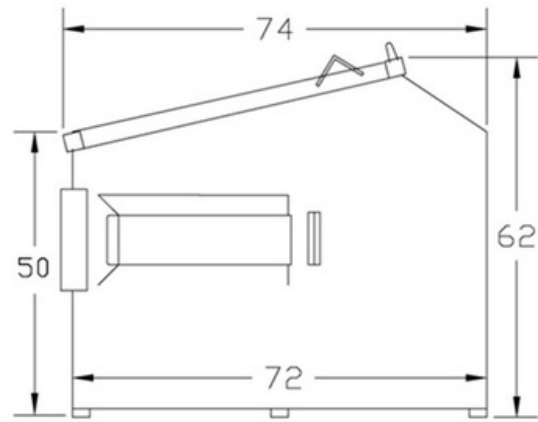
info@poynetteironworks.com

FRONT LOAD DIMENSIONS

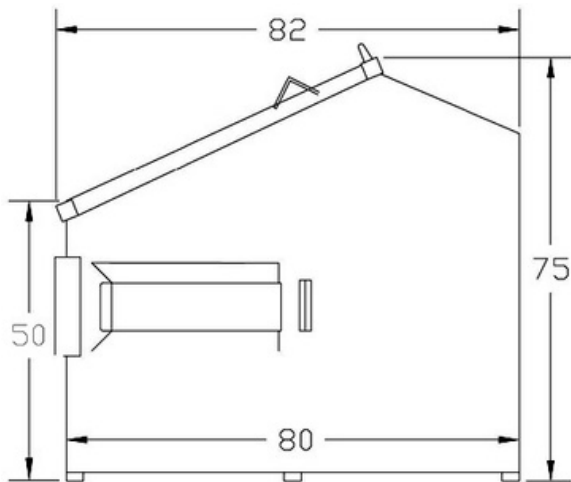
NON-STACKABLE



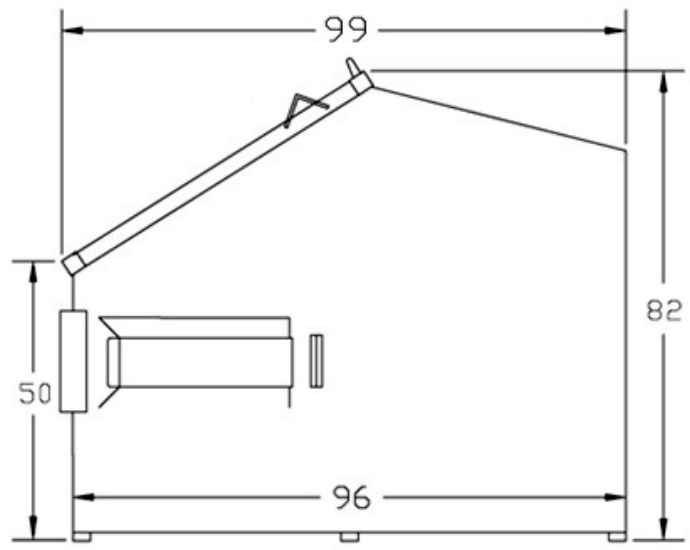
4 Yard



6 Yard



8 Yard



10 Yard



8 YARD FRONT LOAD
NON-STACKABLE

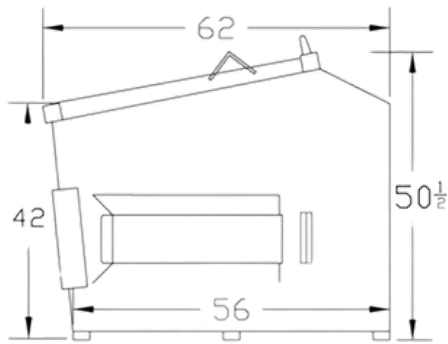
Outside container width: including pockets: 84"



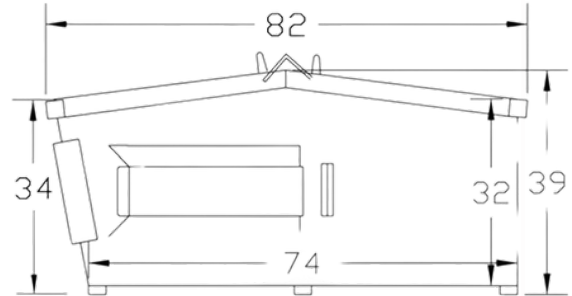
209 E. North Street, Poynette, WI, 53955
Phone: 608-635-7228
info@poynetteironworks.com

FRONT LOAD DIMENSIONS

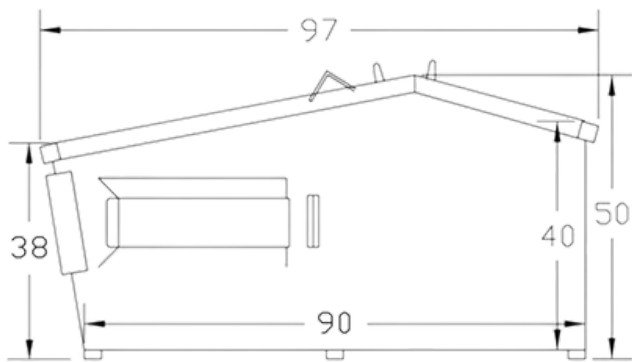
LOW PROFILE



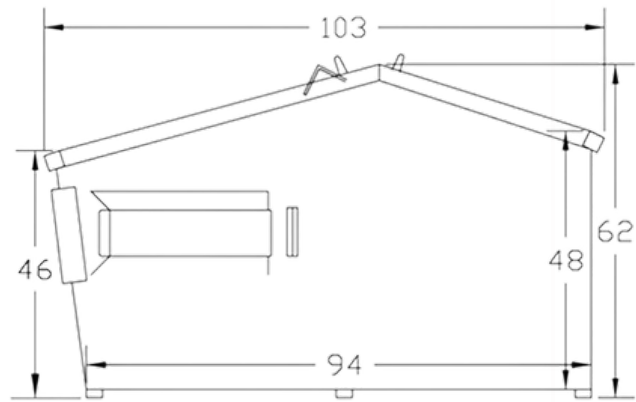
4 Yard | 2-Lid



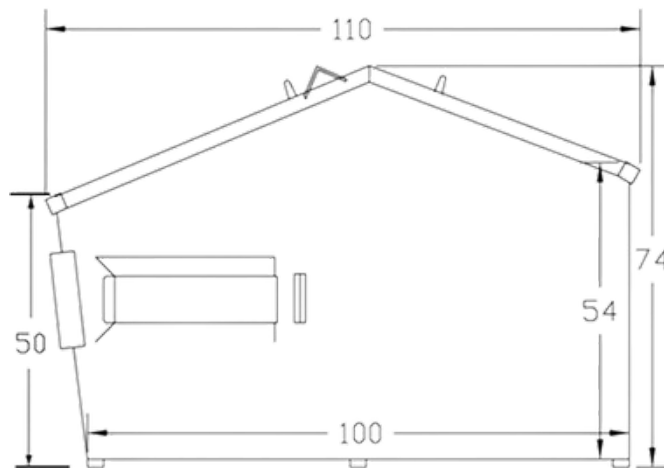
4 Yard | 4-Lid



6 Yard



8 Yard



10 Yard

Outside container width: including pockets: 84"



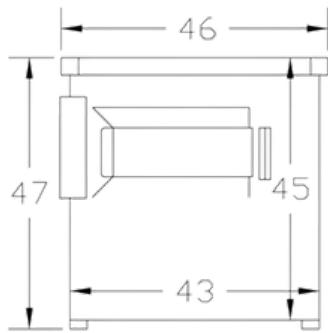
209 E. North Street, Poynette, WI, 53955

Phone: 608-635-7228

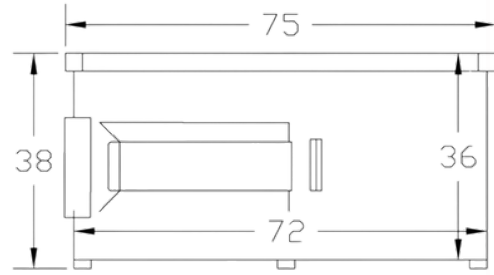
info@poynetteironworks.com

FRONT LOAD DIMENSIONS

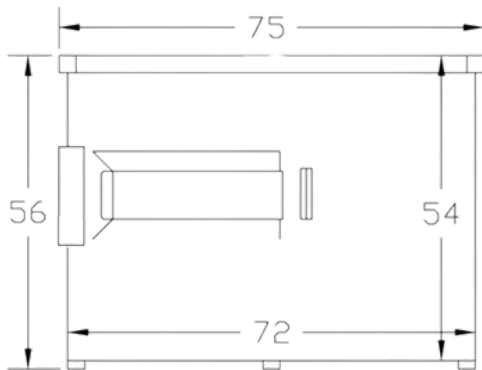
FLAT TOP



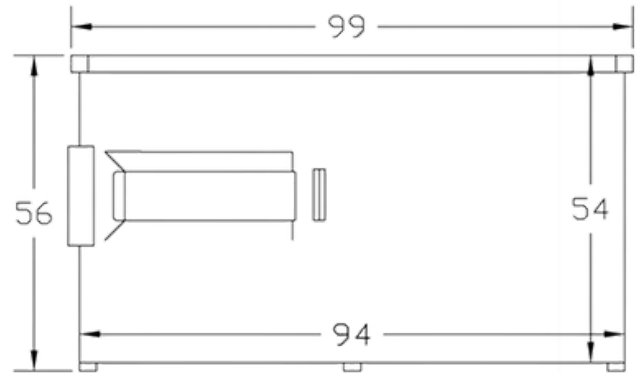
3 Yard



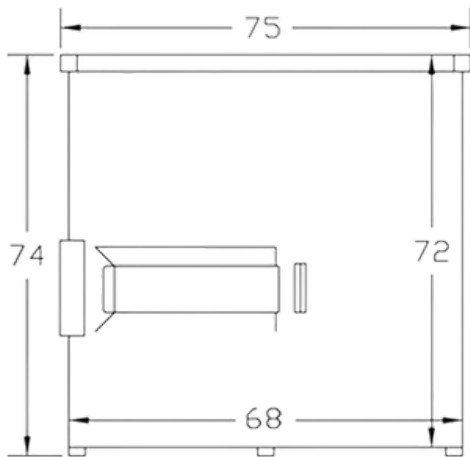
4 Yard



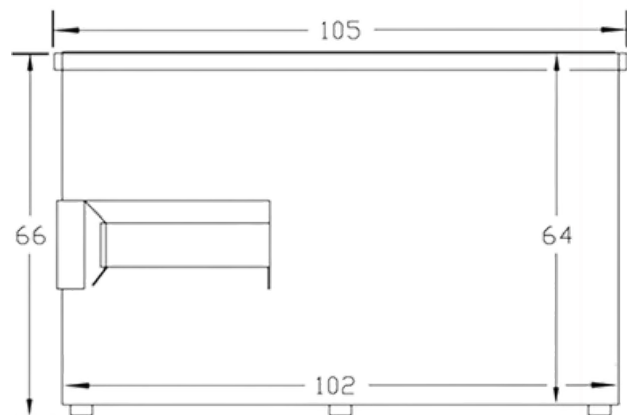
6 Yard



8 Yard | 54" Height
Tapered for Stacking



8 Yard | 72" Height
Tapered for Stacking

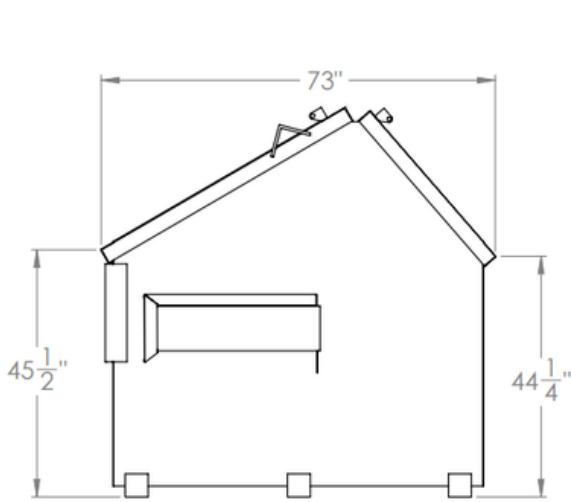


10 Yard

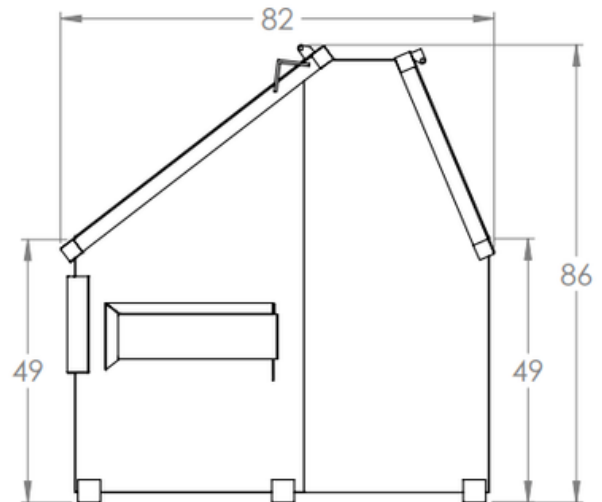
Outside container width: including pockets: 84"

FRONT LOAD DIMENSIONS

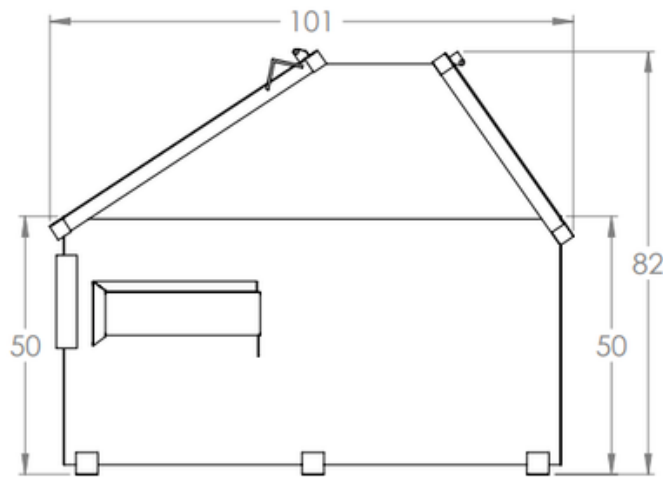
BARN/DOCK STYLE



6 Yard



8 Yard



10 Yard

Outside container width: including pockets: 84"