

POYNETTE IRONWORKS



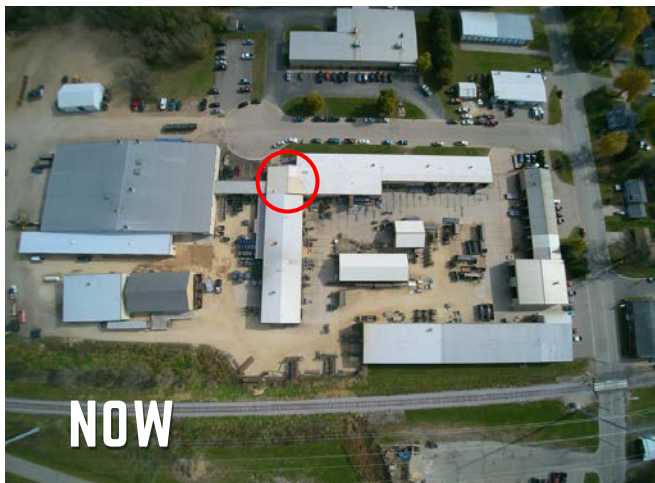
KICK OUR COMPETITION'S BUTTS... BY SPOILING OUR CUSTOMERS ROTTEN

ABOUT US

Poynette Ironworks started in a single 2,400 sq.ft. building in 1996, refurbishing not yet trashed waste containers. Today, we have eight buildings, totaling over 94,000 sq.ft. of manufacturing space, process 57.5 tons of Prime Steel per day, and produce over 35,000 containers per year.



1996



NOW

OUR SERVICES

- REFUSE CONTAINERS
- ROLLOFFS
- TRUCK & TRAILOR
- LUGGERS
- CUSTOM WORK
- ANYTHING MADE OF STEEL

209 E. NORTH STREET
POYNETTE, WI, 53955

INFO@POYNETTEIRONWORKS.COM
WWW.POYNETTEIRONWORKS.COM

PHONE: 608-635-7228
FAX: 608-635-7218



TABLE OF CONTENTS

- 1. REAR LOADS - 4**
- 2. FRONT LOADS - 7-16**
- 3. RESIDENTIAL - 16**
- 4. DOCK CARTS - 17**
- 5. SDH - 18**
- 6. SCRAP BINS & TOTES - 19**
- 7. SMALL CAN PART - 20**
- 8. ROLLOFF RECEIVER LUGGER PARTS - 21**
- 9. ROLLOFFS - 22-25**
- 10. RECEIVERS - 26-27**
- 11. LUGGERS - 28**
- 12. STORAGE CONTAINER - 29**
- 13. FLATBEDS & DUMP BODIES - 30**
- 14. SCRAP TRAILERS - 31**
- 15. STELLAR HOOKLIFT - 32**
- 16. TRUCK EQUIPMENT - 33**
- 17. TESTIMONIAL - 34**
- 18. PAINT COLORS - 35-36**
- 19. WARRANTY - 37**





FACILITIES & EQUIPMENT

- 94,000 sq.ft. Manufacturing Space: Situated on 12 acres
- 32,000 sq.ft. Painting Facility: Includes one 20'x 80' and two 20'x 40' paint booths
- 57 Welding Machines
- 7 Plasma Cutters
- 6'x10' CNC Plasma Table
- 6'x24' Dual Gantry CNC Plasma Cutter
- 18 Forklifts
- 5 CNC Press Brakes
- 15 Overhead Bridge Cranes
- 14 Single Beam Hoists

PRODUCTION CAPABILITIES

- 57.5 Tons of Prime Steel Processed Daily
- Up to 400 Small Boxes (sizes 1-10) & 50 Rolloffs Produced Weekly
- State-of-the-Art Small Box Assembly Line: Completes 2-yarders in under 5 minutes
- Automated Robotic Shear: Cuts sheets with a 35-second cycle time
- Dedicated Rolloff Floor Assembly Line

SPECIALIZED OPERATIONS

- Bulk Welding Gas Supply: Piped for efficiency
- Small Can Paint Assembly Line: Specifically for lids and decals

TEAM & FLEET

- 80+ Skilled Employees
- Fleet of Semi Tractors: Pulling 53' Step Deck Trailers, one 48' Van Trailer, and Boom Trucks



ADDITIONAL INFORMATION

PRICING & PAYMENT TERMS

- Delivery Prices: Quoted F.O.B. Poynette, Wisconsin 53955
- Payment Terms: Net 30 days with approved credit
- Late Charges: 1.5% on all overdue invoices
- Credit Card Purchases: Subject to a 3% charge



PAINT & FINISHING

- Over 45 Stock Paint Colors: Custom colors available upon request
- Priming & Finishing: Containers are primed inside and out with enamel primer and finished with an enamel topcoat. Paint supplied by HIS Paint Co. (No water-based paint used)



LID SPECIFICATIONS

- Lids: Single-wall, vacuum-formed HDPE plastic
- Supplied by Impact Plastics

ORDER DETAILS

- Quoted Prices: Do not include delivery, state, or local taxes unless noted on the quote
- Custom Orders: Accepted—please call for pricing
- Container Sizes: Nominal sizes are indicated unless otherwise stated in writing; actual volume may vary



209 E. North Street, Poynette, WI, 53955
Phone: 608-635-7228
info@poynetteironworks.com

REAR LOADS

2 YARD REAR LOAD WITH CASTERS



STANDARD CONSTRUCTION FEATURES

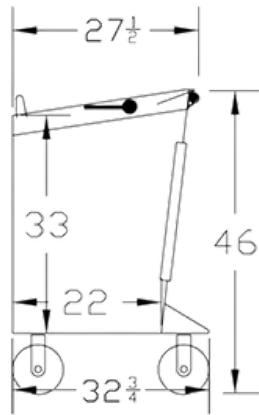
- Material: True to Gauge Prime 12 gauge body and 10 gauge floor panels.
- Welding: All body panels are fully welded, including 10 gauge bumpers.
- Structural Support:
 - Three 1½”H x 3”W structural bottom channels on 4-yard containers and larger.
 - All exterior channels are structural; no formed channels used.
- Lift & Handling:
 - 1” Dia. solid steel rear lift hooks.
 - ¾” Dia. pull handles welded to the front of the container (standard on 3-yard containers and up).
- Drainage: One ¾” Dia. threaded drain with plug per container.
- Trunion Bars:
 - 1½” Dia. solid steel trunion bar on 1-3 yard containers.
 - 1¾” Dia. trunion bar on 4-yard containers and larger.
- Lids: Single-wall vacuum-formed HDPE plastic, supplied by Impact Plastics.
- Lid Rods: ½” Dia. zinc-plated steel lid rods with Nylock nuts on one end.
- Identification: Steel serial number tag welded on all containers.
- Casters:
 - 6” Dia. Polyolefin casters with greaseable roller bearings on 1-3 yard containers.
 - (Includes 2 swivel and 2 rigid casters).
- Paint: Industrial enamel primer and paint, supplied by HIS Paint Co.
- Assembly & Delivery: Containers are delivered fully assembled and ready for use, including:
 - Caution/Warning decals.
 - D.O.T. Reflective Tape.
 - Any customer-supplied decals.

CAPACITY	LIDS (WxL)	APPROX. WEIGHT
1 Cubic Yard w/Casters	2 - 31”x30”	345 lbs.
1½ Cubic Yard w/Casters	2 - 31”x38” or 1 - 62½”x38”	385 lbs.
2 Cubic Yard w/Casters	2 - 31”x44” or 1 - 62½”x44” (Non-Stacking: 2 - 31”x38” or 1 - 62½”x38”)	460 lbs.
3 Cubic Yard w/Casters & Pan	2 - 31”x38” or 1 - 62½”x38”	640 lbs.
3 Cubic Yard w/Casters	Back: 2 - 31”x30” Front: 2 - 31”x38” or 1 - 62½”x38”	670 lbs.
4 Cubic Yard	4 - 31”x38” or 2 - 62½”x38”	880 lbs.
6 Cubic Yard	6 - 31”x38” or 3 - 62½”x38”	1180 lbs.
8 Cubic Yard	6 - 31”x38” or 3 - 62½”x38”	1320 lbs.
10 Cubic Yard	6 - 31”x38” or 3 - 62½”x38”	1495 lbs.

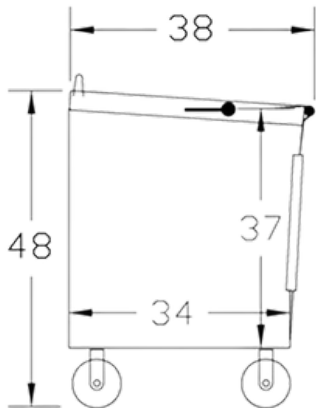


REAR LOAD DIMENSIONS

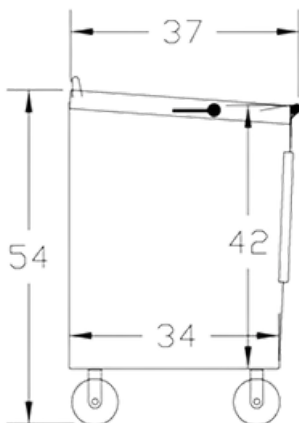
NON-STACKABLE



1 Yard

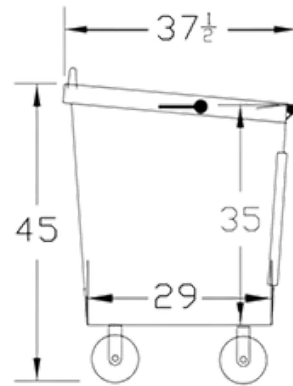


1.5 Yard

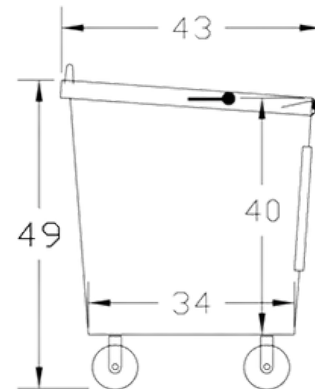


2 Yard

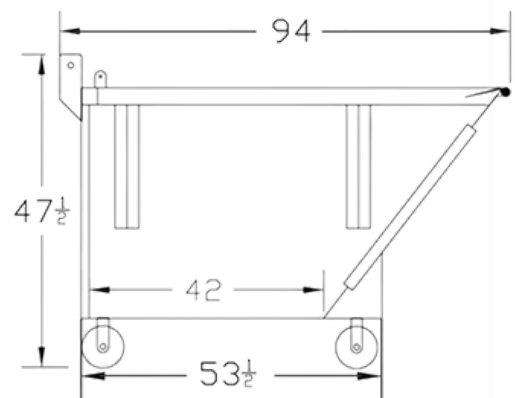
STACKABLE



1.5 Yard



2 Yard



3 Yard | 2-Lid or 4-Lid

Outside container width: with trunnion: 78" | without trunnion: 63"

Casters increase container height by 8 3/4"



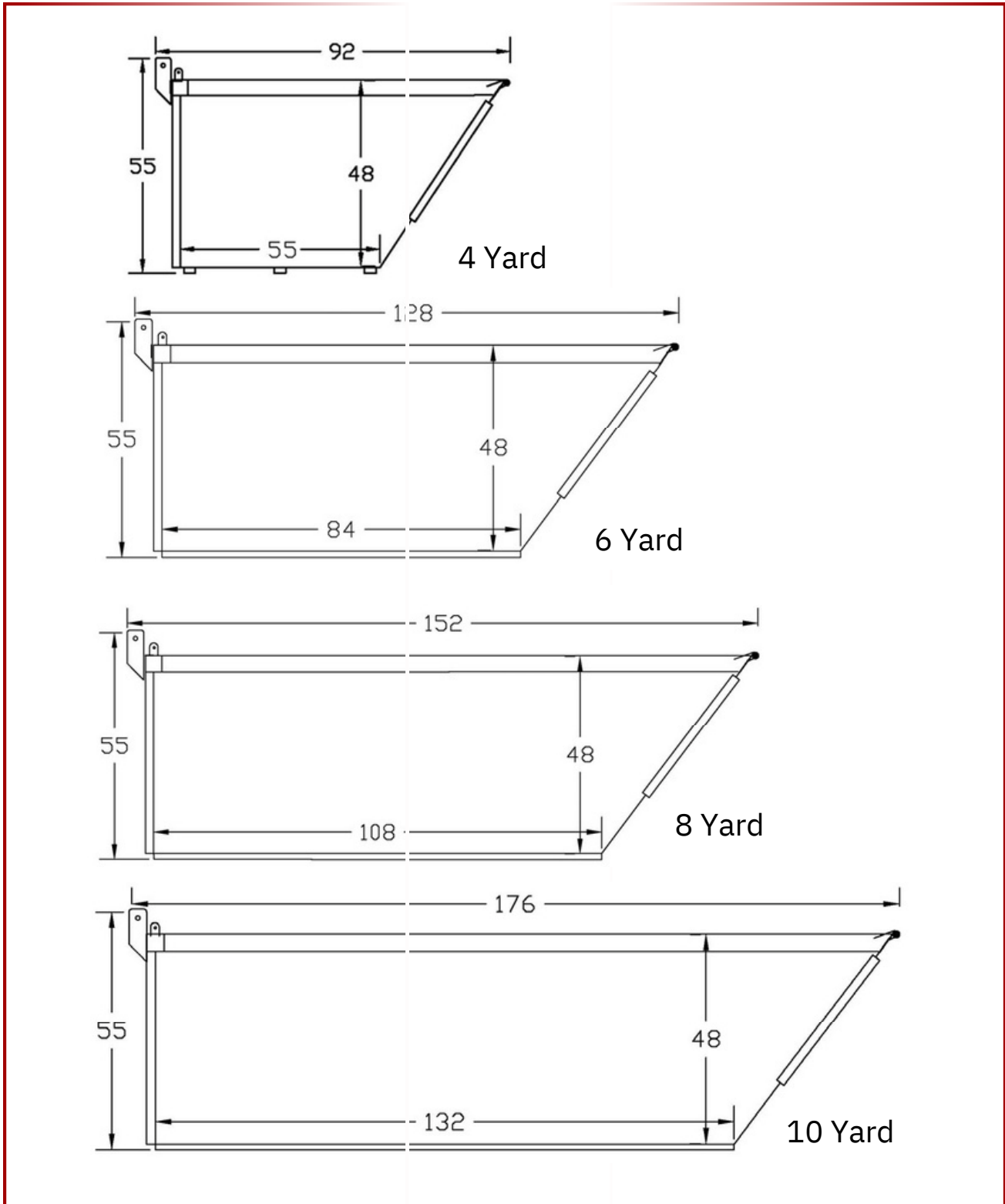
209 E. North Street, Poynette, WI, 53955

Phone: 608-635-7228

info@poynetteironworks.com

REAR LOAD DIMENSIONS

STACKABLE



Outside container width: with trunnion: 78" | without trunnion: 63"



209 E. North Street, Poynette, WI, 53955
Phone: 608-635-7228
info@poynetteironworks.com

FRONT LOADS

2 YARD FRONT LOAD
WITH CASTERS &
OPTIONAL LOCK BAR



STANDARD CONSTRUCTION FEATURES

- Materials:
 - True-to-gauge prime 12-gauge body and 10-gauge floor panels
 - Fully welded body panels and 10-gauge bumpers
 - Lift pockets:
 - 1-4 yd: 10-gauge, 8" H x 24" L
 - 6-10 yd: 7-gauge, 8" H x 30" L
 - Fully welded leads, gussets, dirt shedders, and fork deflectors at the back
 - 10-gauge, 2" H x 4" W structural bottom channel (runs side-to-side)
 - Suspended floor prevents crushing and adds longevity, especially on asphalt surfaces
- Drainage: One ¾" dia. threaded drain with plug per container
- Pickup Points: Equipped for booming containers on-site
- Lid Features:
 - Single-wall, vacuum-formed HDPE plastic lids by Impact Plastics
 - ½" dia. zinc-plated steel lid rods with Nylock nut on one end
- Casters: 6" dia. polyolefin casters with greaseable roller bearings on 1-3 yd containers (2 swivel, 2 rigid)
- Finish: Industrial enamel primer and paint provided by HIS Paint Co.
- Additional Features:
 - Steel serial number tag welded on all containers
 - Delivered fully assembled, including caution/warning decals, D.O.T. reflective tape, and customer-supplied decals

CAPACITY	LIDS (WxL)	WEIGHT (APPROX.)
1 Cubic Yard w/Casters	2 - 36" x 33"	395 lbs
1½ Cubic Yard w/Casters	2 - 36" x 33"	420 lbs
2 Cubic Yard w/Casters	2 - 36" x 41"	480 lbs
3 Cubic Yard w/Casters	2 - 36" x 47"	520 lbs
4 Cubic Yard	2 - 36" x 47" (2 - 36" x 57" on Stackable)	680 lbs
6 Cubic Yard	2 - 36" x 57"	860 lbs
8 Cubic Yard	2 - 36" x 57"	1,020 lbs
10 Cubic Yard	2 - 36" x 57"	1,170 lbs



PLASTIC FRONT LOAD

LIGHT WEIGHT PLASTIC AND STEEL WHERE YOU NEED IT

STANDARD CONSTRUCTION FEATURES

- Tub: Replaceable single-wall HDPE plastic tub in black
- Frame: 14 gauge steel with 10 gauge, 8”H x 24”L pockets
- Lids: Single-wall, vacuum-formed HDPE plastic lids by Impact Plastics
- Lid Rods: ½” dia. zinc-plated steel lid rods with a nylock nut
- Casters: 6” dia. Polyolefin QR casters (2 swivel & 2 rigid) with greaseable roller bearings, fully assembled
- Finish: Industrial enamel primer and paint on the frame, with multiple color options available
- Decals: Containers come decaled and ready for use, including Caution/Warning decals, D.O.T. Reflective Tape, and any customer-supplied decals (Lids are removed for shipping, except for the top container)
- Forklift Requirement: Requires a forklift to load and unload when stacked 5 high



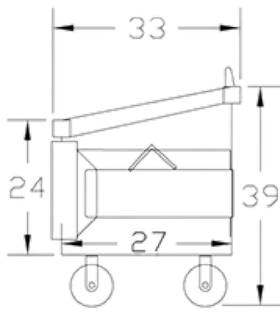
CAPACITY	LIDS	WEIGHT (APPROX.)	DIMENSIONS (H X W X D)
2 Cubic Yard	2 - 38” W x 41” L	367 lbs	53” H x 81½” W x 45” D



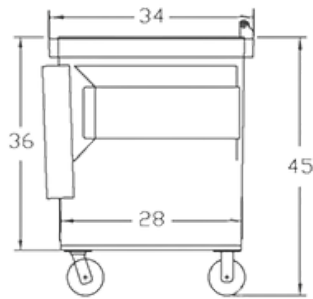
209 E. North Street, Poynette, WI, 53955
Phone: 608-635-7228
info@poynetteironworks.com

FRONT LOAD DIMENSIONS

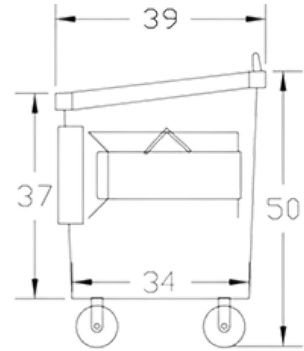
STACKABLE



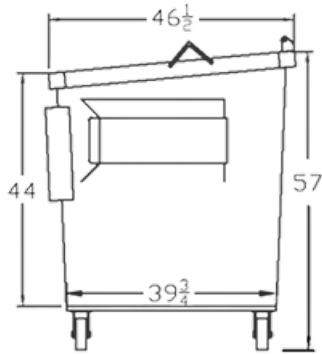
1 Yard



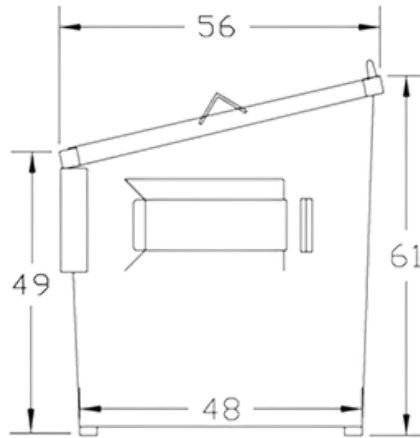
1.5 Yard



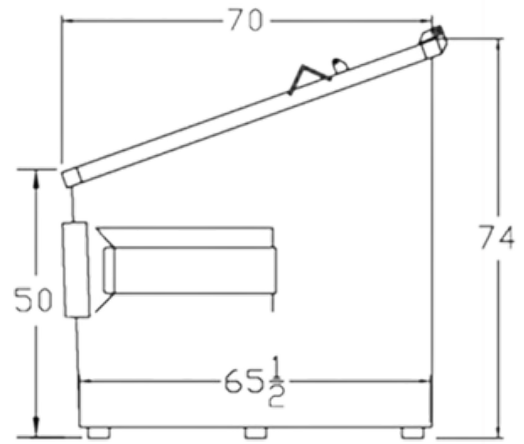
2 Yard



3 Yard



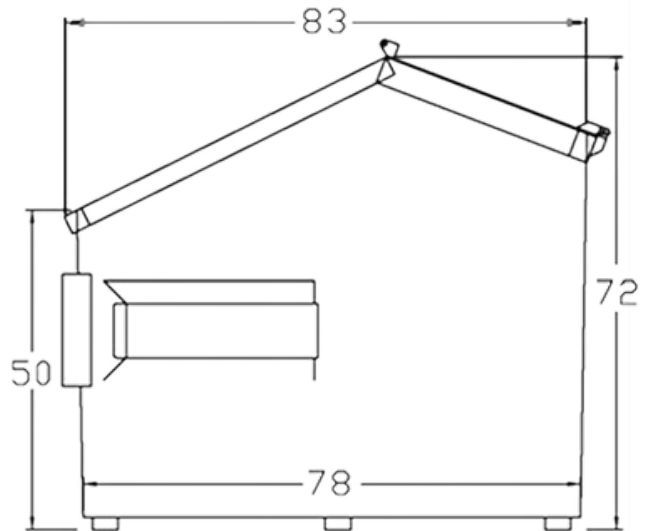
4 Yard



6 Yard



6 YARD FRONT LOAD
STACKABLE



8 Yard

Outside container width: including pockets: 84"

Casters increase container height by 8 3/4"



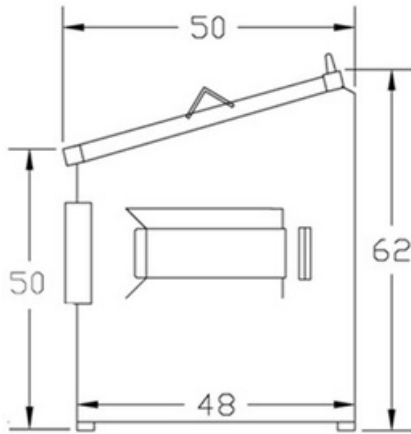
209 E. North Street, Poynette, WI, 53955

Phone: 608-635-7228

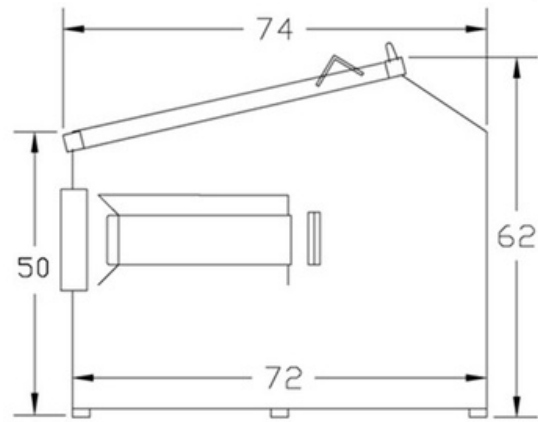
info@poynetteironworks.com

FRONT LOAD DIMENSIONS

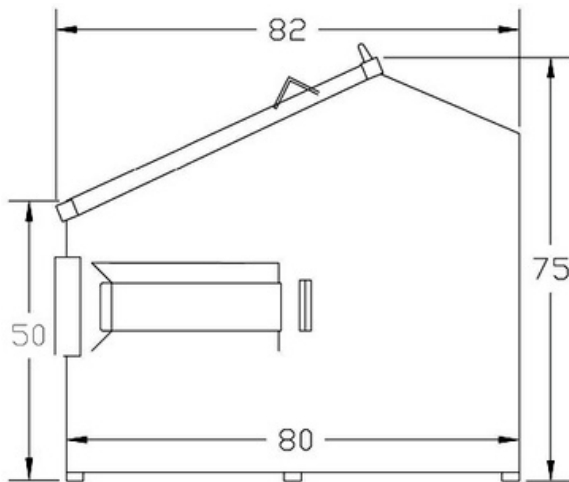
NON-STACKABLE



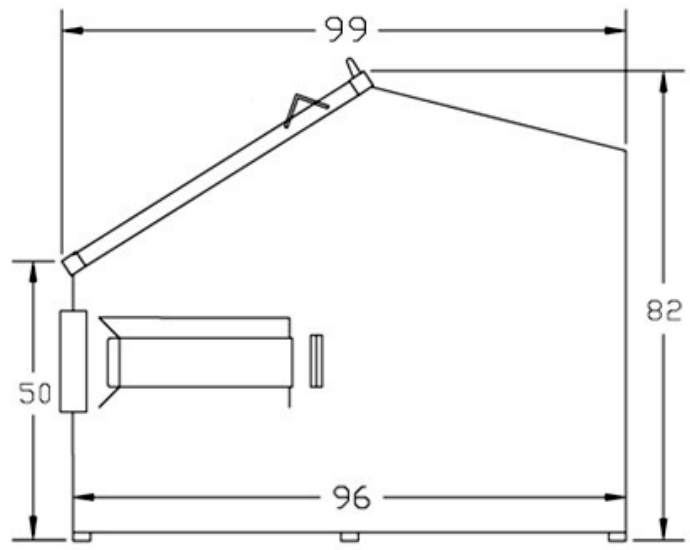
4 Yard



6 Yard



8 Yard



10 Yard



8 YARD FRONT LOAD
NON-STACKABLE

Outside container width: including pockets: 84"



209 E. North Street, Poynette, WI, 53955
Phone: 608-635-7228
info@poynetteironworks.com

FRONT LOADS

LOW PROFILE & FLAT TOP STYLE

8 YARD FRONT LOAD
LOW PROFILE



- Material: True-to-gauge prime 12-gauge body and floor panels
 - Welding: All body panels are fully welded, with fully welded 10-gauge bumpers
 - Lift Pockets:
 - 1-4 Yard: 10-gauge, 8" H x 24" L
 - 6-10 Yard: 7-gauge, 8" H x 30" L
 - Fully welded, including leads, gussets, dirt shedders, and fork deflectors at the back
 - Structural Bottom Channel: 10-gauge, 2" H x 4" W channel runs side-to-side; prevents damage on asphalt surfaces and prevents crushing. Floor is suspended off the ground, extending the container's service life
- Drainage: One 3/4" dia. threaded drain with plug per container
- Pickup Points: All containers come with pickup points for booming on site
- Lid Rods: 1/2" dia. zinc-plated steel lid rods with Nylock nut on one end
- Lids: Single-wall, vacuum-formed HDPE plastic lids by Impact Plastics
- Identification: Steel serial number tag welded on all containers
- Finish: Industrial enamel primer and paint
- Delivery: Containers are delivered fully assembled, including:
 - Caution/Warning decals
 - D.O.T. reflective tape
 - Customer-supplied decals



4 YARD FRONT LOAD
FLAT TOP 2-LID

FLAT TOP CONTAINERS

LOW PROFILE CONTAINERS

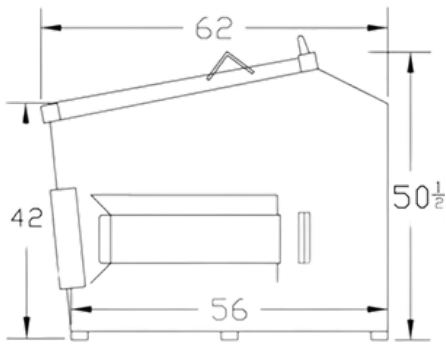
CAPACITY	LIDS (WXL)	WEIGHT (APPROX.)
4 Cubic Yard	2 - 36" x 47"	660 lbs
4 Cubic Yard	4 - 36" x 41"	700 lbs
6 Cubic Yard	Front: 2 - 36" x 57" Back: 2 - 36" x 41"	890 lbs
8 Cubic Yard	Front: 2 - 36" x 57" Back: 2 - 36" x 41"	1,040 lbs
10 Cubic Yard	Front: 2 - 36" x 57" Back: 2 - 36" x 41"	1,290 lbs

CAPACITY	LIDS (WXL)	WEIGHT (APPROX.)
3 Cubic Yard	2 - 36" x 47"	340 lbs
4 Cubic Yard	2 - 36" x 57"	640 lbs
6 Cubic Yard	2 - 36" x 57"	860 lbs
8 Cubic Yard (54" H)	4 - 36" x 41"	1,020 lbs
8 Cubic Yard (72" H)	2 - 36" x 57" 4 - 36" x 41"	1,030 lbs
10 Cubic Yard	2 - 36" x 57" 4 - 36" x 41"	1,170 lbs

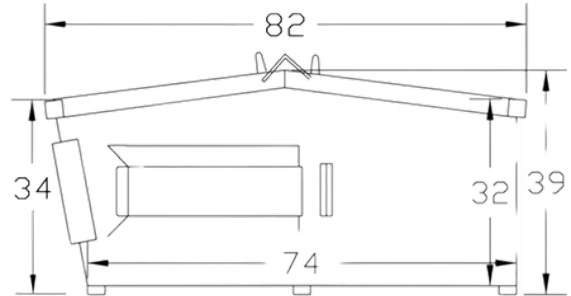


FRONT LOAD DIMENSIONS

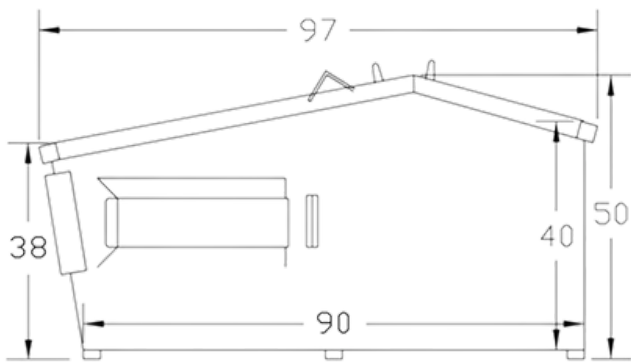
LOW PROFILE



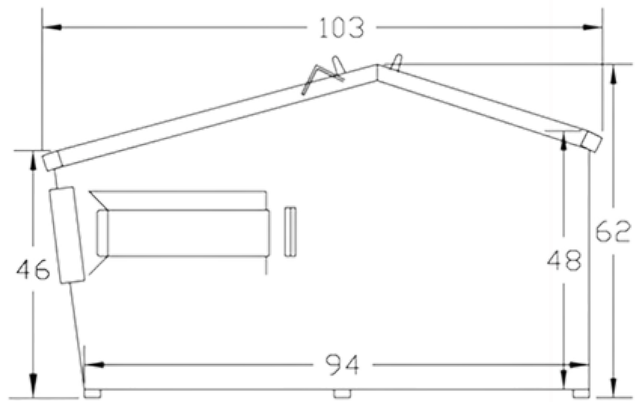
4 Yard | 2-Lid



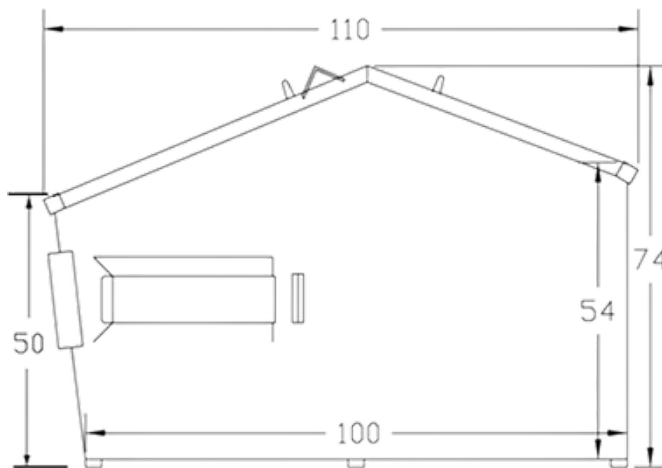
4 Yard | 4-Lid



6 Yard



8 Yard

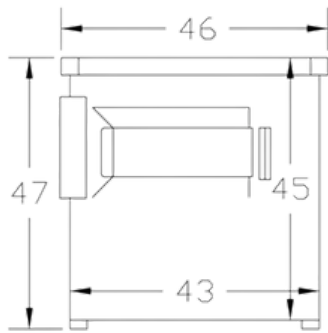


10 Yard

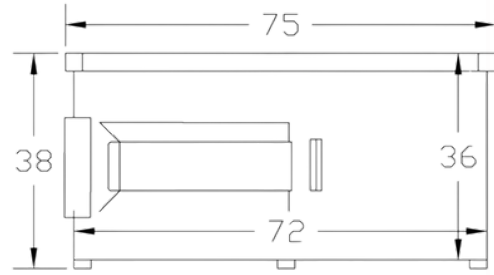
Outside container width: including pockets: 84"

FRONT LOAD DIMENSIONS

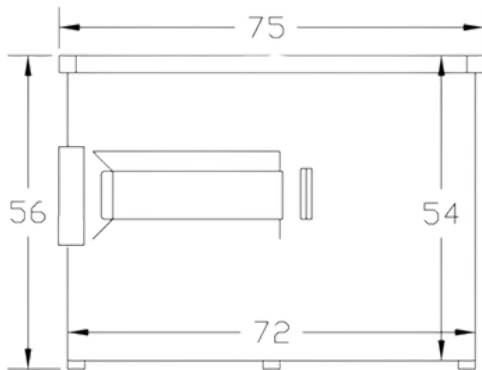
FLAT TOP



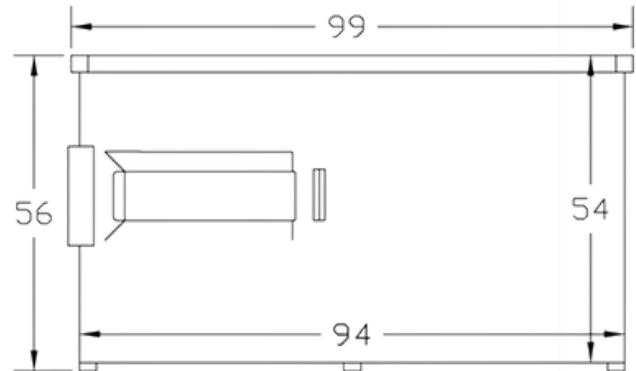
3 Yard



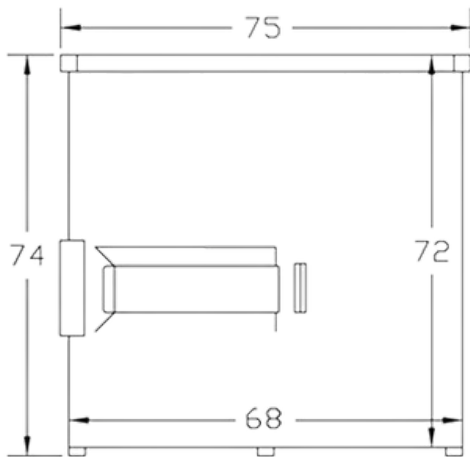
4 Yard



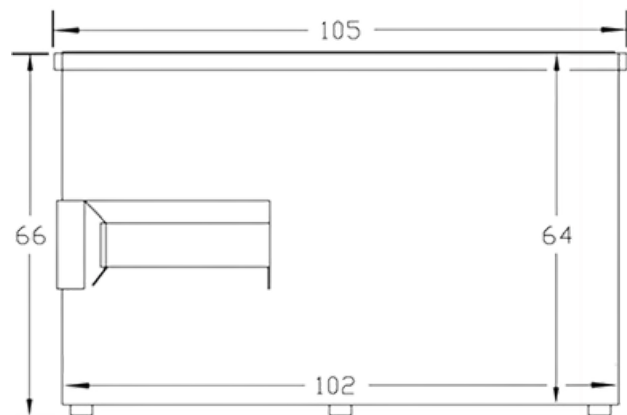
6 Yard



8 Yard | 54" Height
Tapered for Stacking



8 Yard | 72" Height
Tapered for Stacking



10 Yard

Outside container width: including pockets: 84"



209 E. North Street, Poynette, WI, 53955

Phone: 608-635-7228

info@poynetteironworks.com

FRONT LOADS

BARN/DOCK STYLE

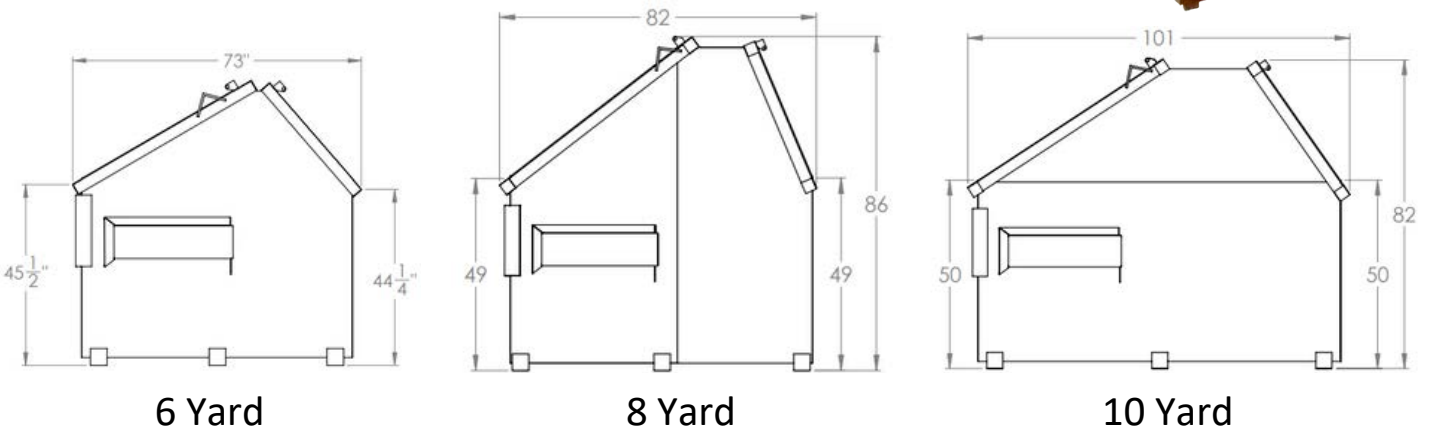
8 YARD FRONT LOAD
BARN/DOCK STYLE



STANDARD CONSTRUCTION FEATURES

- Materials:
 - True-to-gauge prime 12-gauge body and floor panels
 - Fully welded body panels and 10-gauge bumpers
 - Lift Pockets: 7-gauge, 8" H x 30" L, fully welded (includes leads, gussets, dirt shedders, and fork deflectors at the back)
 - Structural Bottom Channel: 10-gauge, 2" H x 4" W structural bottom channel runs side to side; prevents damage on asphalt surfaces and prevents crushing. Floor is suspended off the ground, adding years of service
- Drainage: One 3/4" dia. threaded drain with plug per container
- Pickup Points: Containers come with pickup points for booming on-site
- Lid Rods: 1/2" dia. zinc-plated steel lid rods with Nylock nut on one end
- Lids: Single-wall, vacuum-formed HDPE plastic lids supplied by Impact Plastics
- Identification: Steel serial number tag welded on all containers
- Finish: Industrial enamel primer and paint
- Delivery: Containers are delivered fully assembled, including:
 - Caution/Warning decals
 - D.O.T. reflective tape
 - Customer-supplied decals

8 YARD FRONT LOAD
BARN/DOCK STYLE



Outside container width: including pockets: 84"

CAPACITY	LIDS (WXL)	WEIGHT (APPROX.)
6 Cubic Yard	Front: 2 - 36" x 48" Back: 2 - 36" x 33"	1,182 lbs
8 Cubic Yard	Front: 2 - 36" x 57" Back: 2 - 36" x 41"	1,020 lbs
10 Cubic Yard	Front: 2 - 36" x 57" Back: 2 - 36" x 41"	1,170 lbs



SERIO-US LOCKS

AUTOMATIC CONTAINER LOCKING SYSTEM

Just Pull Up ...



... Lift ...



... And Go!



Your *Serio-us*® Lock
unlocks automatically as the
can is dumped ...

... and *relocks* automatically,
after the lids close, as the can is
set back down.

**Your Driver
Never Leaves the
Truck!**

Your customer
opens the can by
unlocking and re-
moving a padlock

SERIO-US LOCK
TESTED QUALITY • TRUSTED SERVICE

© 2008, Serio-us Industries, Inc. 1010 081007

U.S Patent No. 5,662,364

RESIDENTIAL

95 & 65
GALLON CARTS



CARTS

STANDARD CONSTRUCTION FEATURES

- Water-tight lid design eliminates leaking and reduces odor
- One-piece attached lid requires no assembly
- Multi-system design includes lifter pocket to fit all lifter types
- Stronger walls increase cart durability and wind stability (up to 40mph)
- Dual reinforced wear strip designed to extend the life of the cart's underside
- Wheels:
 - 10" rubber wheels on 95 & 65 Gallon carts
 - 10" plastic wheels on 35 Gallon carts
 - Designed for easy mobility, greater stability, and increased durability
- Available with Recycle logo or company logo hot-stamped on sides

CAPACITY	DIMENSIONS (H X W X L)
65 Gallon	42 $\frac{1}{8}$ " x 25 $\frac{1}{4}$ " x 26 $\frac{3}{8}$ "
95 Gallon	46 $\frac{3}{4}$ " x 26 $\frac{3}{8}$ " x 33 $\frac{3}{4}$ "

CARRY CANS

STANDARD CONSTRUCTION FEATURES

- Available with side, front, or corner tipper mount, or with no provision for tipper
- Fully gusseted for added strength and durability
- Finished with industrial enamel primer & paint

Delivery:

- Containers are delivered completely assembled and ready for use
- Includes:
 - Caution/Warning decals
 - D.O.T. Reflective Tape
 - Any customer-supplied decals

3 YARD
CARRY CAN
WITH TIPPER



DOCK CARTS

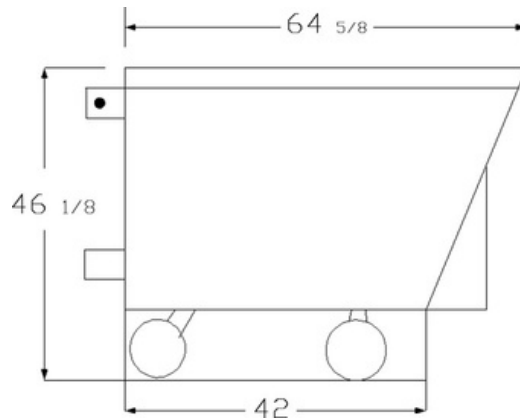
STANDARD CONSTRUCTION FEATURES

- Materials
 - True-to-gauge, prime 12-gauge body and floor panels
 - 3” formed channel and wrapped corners for added strength
 - ¼” thick bump plates and outriggers
 - Dump and push handles for easy maneuverability
 - 6” Dia. Polyolefin casters with greaseable roller bearings (2-rigid & 1-swivel)
 - Finished with industrial enamel primer & paint
- Delivery:
 - Containers are delivered completely assembled and ready for use
 - Includes:
 - Caution/Warning decals
 - D.O.T. Reflective Tape
 - Any customer-supplied decals

DOCK CART FRONT



DOCK CART BACK



CAPACITY	DIMENSIONS (H X W X L)
1 Cubic Yard w/Casters	46 ¹ / ₈ ” x 27 ¹ / ₂ ” x 64 ⁵ / ₈ ”
1½ Cubic Yard w/Casters	46 ¹ / ₈ ” x 38 ¹ / ₂ ” x 64 ⁵ / ₈ ”
2 Cubic Yard w/Casters	46 ¹ / ₈ ” x 49 ¹ / ₂ ” x 64 ⁵ / ₈ ”
Custom Sizes	Available on request

SELF-DUMPING HOPPERS

STANDARD CONSTRUCTION FEATURES

- Safety chain to tie off on fork mast included on all hoppers
- Positive locking mechanism ensures hoppers won't jump off track
- Hoppers from ¼ to 2 cubic yards are stackable
- Finished with industrial enamel primer & paint
- Materials:
 - 10-gauge construction for strength and durability (Upgrade to 8-gauge available)
 - ¼" thick bump plates and outriggers for added durability
 - 3½" H x 8" W fork pockets for easy handling
- Delivery:
 - Containers are delivered completely assembled and ready for use
 - Includes:
 - Caution/Warning decals
 - D.O.T. Reflective Tape
 - Any customer-supplied decals
- Options Include:
 - 6" Casters - Polyolefin or Steel
 - 2-rigid & 2-swivel
 - Upgrade to 8-gauge construction
 - Push handle for easy maneuvering
 - Angle iron reinforcement around the top edge



2 YARD
SELF-DUMPING HOPPER



SELF-DUMPING HOPPERS
WITH CASTERS

CAPACITY	DIMENSIONS (H X W X L)	HEIGHT W/6" CASTER	WEIGHT (APPROX.)
1/8 Cubic Yard	24½" x 33" x 38½"	30⅞"	436 lbs
¼ Cubic Yard	30" x 41¼" x 48¼"	37½"	514 lbs
½ Cubic Yard	37¾" x 35¼" x 66¼"	45⅝"	592 lbs
¾ Cubic Yard	38" x 45¼" x 66¼"	44"	670 lbs
1 Cubic Yard	38" x 59¼" x 66¼"	44"	750 lbs
1½ Cubic Yard	45" x 59¼" x 66¼"	52⅜"	830 lbs
2 Cubic Yard	51½" x 68" x 68¾"	59½"	990 lbs
3 Cubic Yard	51½" x 87" x 68¾"	59½"	1,100 lbs
4 Cubic Yard	51½" x 102" x 68¾"	59½"	1,290 lbs
5 Cubic Yard	63" x 102" x 68¾"	69¼"	1,480 lbs



SCRAP BINS & TOTES

STANDARD CONSTRUCTION FEATURES

- Custom Sizes and Styles: Available to fit your specific application
 - Endless options for size and shape, depending on your application
 - Variety of construction specifications tailored to your needs
 - Can be built stackable for easy storage and handling
 - Casters: Choose from polyolefin, polyurethane, or steel casters
- Finish:
 - Finished with industrial enamel primer & paint
- Delivery:
 - Containers are delivered completely assembled and ready for use
 - Includes:
 - Caution/Warning decals
 - D.O.T. Reflective Tape
 - Any customer-supplied decals



STACKABLE BIN

STACKABLE BINS



SCRAP TOTE
WITH TOW KIT

SCRAP BIN

CAPACITY	DIMENSIONS (H X W X L)
2 Cubic Yard w/Fork Pockets	48" x 48" x 40"
3 Cubic Yard w/Fork Pockets	48" x 48" x 60"
4 Cubic Yard w/Fork Pockets	48" x 48" x 82"
Custom Sizes	Available on request

SMALL CAN PARTS

**DON'T SEE SOMETHING YOU NEED?
JUST ASK US!**

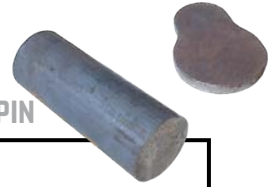


CATEGORY	PART
Casters	6" Polyolefin Caster (Swivel/Rigid, Rigid w/Cam lock)
	6" All Steel or Rubber Wrapped Caster
	Caster pads
Lids	Double Wall Side Open: 35" W x 56" L
	Single/Double Plastic Lids (See pages 4, 7, 8, 11, 14)
	Side Open Plastic: 36" W x 57" L
	Steel Lid Rod: ½" dia., Zinc, 36" W x 46" L
	Galvanized Steel, Bear Proof, & Bear "Resistant" Lids
	Lid Stop, Lid Tab
Mounting & Frame	Rear Load Rack: 4yd, 6yd, 8yd sizes
	Front Load Pocket Assembly (Weld/Bolt-on)
	Rear load/front load conversion pocket
	Front Load Plastic Frame/Tub Only, 75½" L/65" L
	Side Open Hinge Assembly w/Lid Rod, Sliding Back Door (30" x 30")
	Decal Plate for Front Load: 22" H x 27" W
	Tow Kit (clamp on or weld on)
Locks	Front Load Manual/Auto-lock (See pg. 15)
	Rear Load Flatbar or Chain Lock
Other	Corner Cap, Drain Plug, Small Can Decal Set (8-DOT Reflective, Large/Small Warning Decals)

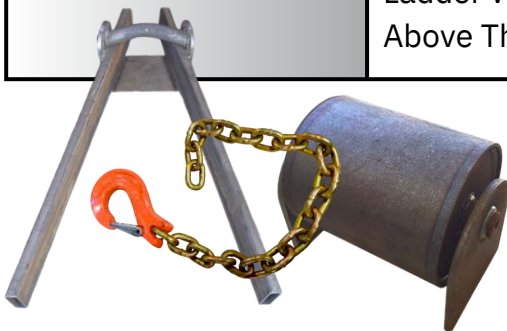
ROLLOFF, RECEIVER & LUGGER PARTS

**DON'T SEE SOMETHING YOU NEED?
JUST ASK US!**

LUGGER EAR & PIN



CATEGORY	PART
Hardware & Hooks	1 $\frac{3}{8}$ " Bullnose, 1 $\frac{3}{4}$ " Cable Hook & $\frac{3}{4}$ " Plate, $\frac{5}{8}$ " A-frame Hook Plate, 2 $\frac{1}{2}$ " A-Frame Pin/Bar
	Complete 36" Hook w/Plate
Frames & Support	Complete A-frame (54"H or 62"H), Deadlift Skid Nose, Deadlift Casting
	$\frac{1}{2}$ " Lugger Pin Support Plate, Lugger Pin w/Ear, Lugger Ear
Wheels & Rollers	Nose Roller w/Axle (4" Dia. x 4" W, 4" Dia. x 6" W), $\frac{1}{2}$ " Nose Roller Support
	Bogey Wheel w/Axle (8" Dia. x 6" W, 8" Dia. x 10" W), $\frac{1}{2}$ " Bogey Wheel Plate
Miscellaneous Parts	Swing Latch Assembly, Ratchet, Sand Pads (Set), 2" x 6" Tube (20' Long Skid)
	5' x 7' Receiver Diaper, Custom Vinyl Lettering, Replacement Rolloff Door
	Rolloff Hinge (40yd: 4/Box, 30yd: 3/Box, 20yd: 2/Box), Door Seal
Decals & Markings	Large Can Decal Set (8 DOT Reflective Squares, 1 Large Caution/Warning Decal, 2 Small Caution/Warning Decals, 2 Ladder Warning Decals, 1 Caution Door Decal, 2 "Do Not Fill Above This Line" Decals, 2 "Do Not Park" Decals)



209 E. North Street, Poynette, WI, 53955
Phone: 608-635-7228
info@poynetteironworks.com

SQUARE/RECTANGLE ROLLOFFS

30 YARD SQUARE
ROLLOFF, CABLE



STANDARD CONSTRUCTION FEATURES

- Material:
 - Floor: 3/16" thick
 - Sides, Front, Door: 12 gauge steel
 - Top Reinforcing: 3"x4"x3/16" tubing, 2"x6"x3/16" front uprights
 - Side Channels: 10 gauge, 5 3/4"W, spaced 30" on center
 - Tarp Rails: 3/4" dia. solid, with front & rear hooks
 - Ladders: 3/4" dia. solid (front driver side & rear passenger side)
- Structure:
 - Understructure: 3"H structural channel, spaced 18" on center, full apron
 - Bullnose: 1 3/8" thick solid, inserted 2" into rails
 - Rear Rollers: 8" dia. x 10"W, grease zerks, 1/2" thick wheel plate
- Doors:
 - Construction: 12 gauge sheet, frames (3"x4"x3/16" on hinge side, 2"x3"x3/16" on latch side)
 - Features:
 - Door sweep to prevent debris
 - Heavy-duty hinges w/grease zerks (2 hinges: 20yd & under, 3 hinges: 30yd, 4 hinges: 40yd & up)
 - Safety chain with quick snap, Swing Lever or Ratchet latch
- Hook Styles:
 - Cable Style: 1 3/4" cable hook, 3/4" plate, 4" dia. x 6"W front rollers (grease zerks)
 - Hook Style: 2"x6"x3/16" A-frame, 2 1/2" dia. pin/bar, 5/8" hook plates
 - Deadlift Style: Available (see pg. 24)
- Finish:
 - Paint: Industrial enamel primer & paint
 - Decals: Caution/Warning, D.O.T. Reflective Tape, and customer-supplied decals
- See pg. 26 for Heavy-duty Construction Upgrades & other Options



30 YARD SQUARE
ROLLOFF WITH
DECAL PLATE

ANGLE/TUB ROLLOFFS



20 YARD ANGLE ROLLOFF,
HOOK & CABLE

STANDARD CONSTRUCTION FEATURES

- Material:
 - Floor: 3/16" thick, 20 ft. outside length (custom lengths available)
 - Sides: 10 gauge (20yd & under), 7 gauge (25yd & up)
 - Door & Front: 12 gauge steel
 - Top Reinforcing: 3"x4"x3/16" tubing, 2"x6"x3/16" front uprights, fully welded corner gussets
 - Tarp Rails: 1/4" flat or 3/4" dia. ladder rung style, with front & rear tarp hooks
 - Ladders: 3/4" dia. ladder rung style (front driver side, rear passenger side)
- Structure:
 - Understructure: 3"H structural channel, 18" on center, full 3"H apron
 - Bullnose: 1 3/8" thick solid, inserted 2" into 2"x6"x3/16" rails
 - Rear Rollers: 8" dia. x 10"W, with grease zerks, 1/2" thick wheel plate
- Doors:
 - Construction: 12 gauge sheet, frames with 3"x4"x3/16" (hinge side) and 2"x3"x3/16" (latch side) tubing
 - Features: Door sweep, heavy-duty hinges (2 for 20yd & under, 3 for 30yd, 4 for 40yd & up), quick snap safety chain, Swing Lever or Ratchet latch system
- Hook Styles:
 - Cable Style: 1 3/4" cable hook, 3/4" plate, 4" dia. x 6"W front rollers with grease zerks
 - Hook Style: 2"x6"x3/16" A-frame, 2 1/2" pin/bar, 5/8" hook plates
 - Deadlift Style: Available (see pg. 24)
- Finish:
 - Paint: Industrial enamel primer & paint
 - Decals: Caution/Warning decals, D.O.T. Reflective Tape, and customer-supplied decals
- See pg. 26 for Heavy-duty Construction Upgrades & other Options

ANGLE ROLLOFF, DEADLIFT

12 YARD ANGLE ROLLOFF,
DEADLIFT



ROLLOFF OPTIONS

- Hook Options:
 - Combination Cable/Hooklift
 - Combination Deadlift/Hooklift
- Floor Upgrades:
 - ¼" Floor
 - 12" on Center Floor Channel
 - 22' Long Container (Std. Length 20')
 - 24' Long Container (Std. Length 20')
- Wall & Structure Upgrades:
 - Angle Rolloffs: Upgrade from 10 gauge to 7 gauge walls
 - Square Rolloffs:
 - Upgrade from 12 gauge to 10 gauge walls
 - Upgrade from 12 gauge to 7 gauge walls
 - Additional Structural Options:
 - 2"x5" Skids with 1"x2" Solid Wear Strips
 - ¼" x 2" Lined Skids
 - Inside Wall Gussets
 - 2"x2" Angle on top of Wall
 - Belly Bands on Angle Rolloffs
- Front & Door Options:
 - Front Ground Rollers
 - Front Sand Pads
 - Ladder location
 - Door Styles:
 - Ratchet Door Latch System
 - Heavy-duty Sealed Door
 - Heavy-duty Sealed Door w/Fluid Ramp
 - Barn Style Door
 - Dump Style Tail Gate
- Cover & Tarp Systems:
 - Single-sided Cover with 3 Plastic Lids
 - Double-sided Cover with 6 Plastic Lids
 - Removable Steel Cover w/Fork Pockets
 - Rollover Tarp System
 - Rollover roof w/Impact Plastics HDPE Plastic Lids
- Square Rolloff Add-ons:
 - Decal Plates
 - Gravel Guards (dirt shedders)



ROLLOVER ROOF SYSTEM W/ PLASTIC LID



ROLLOVER TARP SYSTEM



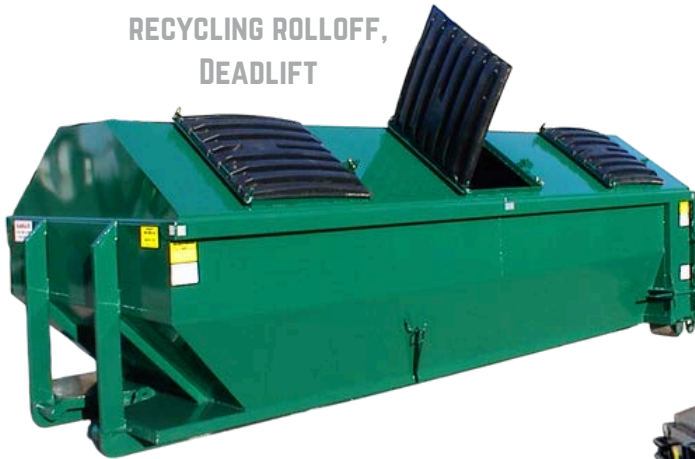
40 YARD ANGLE ROLLOFF
WITH BELLY BAND, DEADLIFT

RECYCLING ROLLOFFS

AVAILABLE OPTIONS

- Design: Custom design to meet your requirements
- Container Specs: Refer to Angle/Tub or Square/Rectangle Rolloff specs
- Covers:
 - Single-sided cover
 - Double-sided cover
- Interior Options: Add interior dividers
- Finish: Industrial enamel primer & paint
- Delivery:
 - Containers are delivered fully assembled
 - Includes Caution/Warning decals, D.O.T. Reflective Tape, and any customer-supplied decals

DOUBLE SIDED ANGLE
RECYCLING ROLLOFF,
DEADLIFT



SINGLE SIDED ANGLE
RECYCLING ROLLOFF,
HOOK & CABLE



DOUBLE SIDED SQUARE
RECYCLING ROLLOFF



SQUARE RECEIVERS



STANDARD CONSTRUCTION FEATURES

40 YARD SQUARE RECEIVER, CABLE

- Material:
 - Floor: 3/16" thick (length based on capacity)
 - Sides, Front, Door, Roof: 12 gauge steel
 - Back Channel & Roof Supports: 3"x5"x3/16" structural tubing
 - Side Channels: 10 gauge, 5¾"W, spaced 30" on center for side and roof stiffening
- Structure:
 - Understructure:
 - 3"H structural channel, spaced 18" on center
 - Full 3"H structural channel apron
 - Drain holes through the floor under each side channel
 - Bullnose: 1⅜" thick solid, inserted 2" into 2"x6"x3/16" rails
 - Rear Rollers: 8" dia. x 10"W, with grease zerks, ½" thick wheel plate
- Doors:
 - Construction: 12 gauge door sheet, frames of 3"x4"x3/16" tubing uprights and cross-members (no formed channel)
 - Features:
 - Heavy-duty door hinges with grease zerks (1 linear foot of door surface per hinge)
 - Guide support on latch side
 - Safety chain with quick snap and Ratchet latch system
 - Optional: Sealed doors, Sealed Charge Opening doors, Pinning Tunnels, and Bars available upon request
- Hook Styles:
 - Cable Style:
 - 1¾" cable hook with ¾" thick plate
 - 4" dia. x 6"W front rollers with grease zerks, ½" thick support
 - Hook Style:
 - 2"x6"x3/16" A-frame with 2½" dia. pin/bar, ⅝" thick hook plates
 - Deadlift Style: Available
- Finish:
 - Paint: Industrial enamel primer & paint
 - Delivery: Containers are delivered fully assembled, with Caution/Warning decals, D.O.T. Reflective Tape, and any customer-supplied decals



SQUARE RECEIVER



209 E. North Street, Poynette, WI, 53955
Phone: 608-635-7228
info@poynetteironworks.com

OCTAGON RECEIVERS

40 YARD OCTAGON RECEIVER



STANDARD CONSTRUCTION FEATURES

- Material:
 - Floor: 3/16" thick, length determined by capacity
 - Sides, Front, Roof: 8 gauge steel
 - Back Channel & Roof Supports: 3"x5"x3/16" structural tubing
- Structure:
 - 3"H structural channel, spaced 18" on center, with full 3"H structural channel apron
 - 1 3/8" thick solid bullnose inserted 2" into 2"x6"x3/16" rails
 - Rear Rollers: 8" dia. x 10"W, with grease zerks, 1/2" thick wheel plate
- Doors:
 - Construction: 12 gauge door sheet, frames with 3"x4"x3/16" tubing uprights & horizontal cross-members (no formed channel)
 - Features:
 - Heavy-duty door hinges with grease zerks (1 linear foot of door surface per hinge)
 - Guide support on latch side
 - Safety chain with quick snap and Ratchet latch system
 - Optional: Sealed Doors, Sealed Charge Opening doors, Pinning Tunnels & Bars
- Hook Styles:
 - Cable Style: 1 3/4" cable hook with 3/4" thick plate, 4" dia. x 6"W front rollers with grease zerks, 1/2" thick support
 - Hook Style: 2"x6"x3/16" A-frame with 2 1/2" dia. pin/bar & 5/8" thick hook plates
 - Deadlift Style: Available
- Finish:
 - Paint: Industrial enamel primer & paint
 - Delivery: Fully assembled with Caution/Warning decals, D.O.T. Reflective Tape, and any customer-supplied decals

40 YARD OCTAGON RECEIVER WITH BELLY BANDS



LUGGERS

STANDARD CONSTRUCTION FEATURES

- Material:
 - Walls: 3/16" thick
 - Floors & Dump End: 1/4" thick
 - Corners: Wrapped with 1/4" thick steel
 - Perimeter: 4" channel around the container
 - Side Bump Plates: 3/16" thick, below lift pins
- Structure:
 - Floor Stiffeners: 3" channel
 - Lift Pins: 6" channel with 3/8" support plates
 - Drain: 1 1/2" dia. drain with plug
- Doors:
 - Options: Rear doors available
- Hook Styles:
 - Dump Hooks: Available as an option
- Finish:
 - Paint: Industrial enamel primer & paint
 - Delivery: Containers delivered fully assembled with Caution/Warning decals, D.O.T. Reflective Tape, and any customer-supplied decals
- Additional Options:
 - Butterfly drain valves
 - Fully gusseted floor and dump ends
 - Covers



STANDARD LUGGER

SLUDGE LUGGER



HIGH BACK LUGGER



HIGH BACK LUGGER
WITH COVER

LOW PROFILE LUGGER



STORAGE CONTAINERS

STANDARD CONSTRUCTION FEATURES

- Material:
 - Length Options: Available in 20ft. or 40ft.
 - 20ft. Dimensions:
 - Outside: 20'L x 9'H x 8'W
 - Inside: 19'6"L x 7'6"H x 7'6"W
 - Interior: White walls and clean wood floor with tie-down hooks
- Structure:
 - Understructure:
 - 1 $\frac{3}{8}$ " thick solid bullnose inserted 2" into 2"x6"x3/16" rails
 - Rear rollers: 8" dia. x 10"W with grease zerks and 1/2" thick wheel plate
- Doors: Watertight double locking doors with side fork pockets
 - Options: Side service door available
- Hook Styles:
 - Cable Style:
 - 1 $\frac{3}{4}$ " cable hook with 3/4" thick plate
 - 4" dia. x 6"W front rollers with grease zerks, 1/2" thick support
 - Hook Style:
 - 2"x6"x3/16" A-frame
 - 2 $\frac{1}{2}$ " dia. pin/bar, 5/8" thick hook plates
 - Deadlift Style: Available
- Finish:
 - Paint: Exterior industrial enamel primer & paint
 - Delivery: Containers delivered fully assembled with Caution/Warning decals, D.O.T. Reflective Tape, and any customer-supplied decals
- Additional Options:
 - Side service door
 - Decal plates
 - Windows



20FT STORAGE
CONTAINER, HOOK

DUST COLLECTING
OVER SEA CONTAINER



20FT CONTAINER WITH SERVICE
DOOR & DECAL PLATE



20FT CONTAINER WITH
REAR DUMP DOOR



FLATBEDS & DUMP BODIES

STANDARD CONSTRUCTION FEATURES

- Material:
 - Available Lengths: Custom lengths available, in 96"W or 102"W
 - Floor: 3/16" smooth floor
 - Side Pockets: 1/2" x 3" rub rails on flatbeds
- Structure:
 - Understructure:
 - 3"H structural channel, spaced 18" on center
 - 2"x3"x3/16" apron on dump bodies
 - 2"x6"x3/16" apron on flatbeds
 - Bullnose: 1 3/8" thick solid, inserted 2" into 2"x6"x3/16" rails
 - Rails: Heavy-duty 2"x6" outer rail tubes
 - Beaver Tail: Available in 2' or 3' length
- Hook Styles:
 - Cable Style:
 - 1 3/4" cable hook with 3/4" thick plate
 - 4" dia. x 6"W front rollers with grease zerks, 1/2" thick support
 - Hook Style:
 - 2"x6"x3/16" A-frame with 2 1/2" dia. pin/bar
 - 5/8" thick hook plates
 - Deadlift Style: Available
- Finish:
 - Paint: Industrial enamel primer & paint
 - Delivery: Delivered fully assembled with Caution/Warning decals, D.O.T. Reflective Tape, and any customer-supplied decals
- Available Options:
 - 3/16" or 1/4" diamond plate, or 1/4" smooth plate
 - 2"x5" skids with 1"x2" liners
 - 8" dia. x 10"W rear rollers
 - Rollers in beaver tail
 - D-ring tie downs
 - Toolboxes and power winch
 - Expanded or solid steel bulkhead with chain hangers
 - Fold down sides on dump body



DUMP TRUCK BODY WITH
FOLD DOWN SIDES



DUMP TRUCK BODY



DUMP BODY, 54" HOOK



FLATBED WITH EXPANDED
METAL BULKHEAD, 54" HOOK



FLATBED WITH 3FT BEAVER TAIL
& EXPANDED METAL BULKHEAD



SCRAP TRAILERS



SCRAP TRAILER WITH
SIDE ACCESS DOORS

STANDARD CONSTRUCTION FEATURES

- Material:
 - Floor: ¼" thick, with 12" on center floor channel
 - Walls, Front, & Door: 7 gauge steel
 - Side Channel: 7 gauge, 2-bend, spaced 24" on center
 - Door Tube: 3"x4"x3/16"
- Structure:
 - Wall Support: Walls tied into rear bumper
 - Gussets: Inside gussets 12"H, with 12"H outside dirt shedders
 - Ladders: Located on driver's side front and rear passenger side
 - Door Closer: Ratchet style door closer
- Finish:
 - Paint: Industrial enamel primer & paint
 - Delivery: Delivered fully assembled with Caution/Warning decals, D.O.T. Reflective Tape, and any customer-supplied decals
- Available Options:
 - Sidewinder tarp system
 - Solid rear door or top half expanded steel door
 - Decal plates
 - Inside front ramp
 - Ramp at rear floor to protect tail lights
 - Side access doors
- Additional Information:
 - 40ft chassis available, or you can supply your own

SCRAP TRAILERS
WITH VARIED HEIGHTS



SCRAP TRAILER



SCRAP TRAILER WITH
SIDE ACCESS DOORS



STELLAR[®] HOOKLIFT DEALER

POYNETTE IRONWORKS IS AN AUTHORIZED STELLAR[®] DEALER



FROM THE FIRST U.S. MANUFACTURER OF THE HOOKLIFT SYSTEM, HERE'S HOW THEY SET THE INDUSTRY STANDARD:

- Single lift and tilt cylinders are standard across all Stellar[®] Hooklift models, with capacities from 3,000 to 52,000 pounds.
- Controls are mounted inside the truck cab for enhanced safety and ease of operation.
- Grease zerks provide easy maintenance.
- New hook design simplifies attachment to bodies.
- Rugged rear body tie-downs ensure stability during transit and dumping.
- The rear hinge pin is made of stainless steel for added strength and corrosion resistance.
- Integrated control valve and hydraulic fluid reservoir with a temperature gauge are standard on all Hooklift loaders.
- Features resettable dump and tilt tabs for added convenience.
- Front saddles support the body during transit, relieving stress on the hook loading mechanism.
- All electrical wiring is protected by heavy-duty conduit.
- Rotary valve locks out the tilt function during dump mode to prevent accidental body unloading.

UTILITY & MAINTENANCE	TRANSPORT & CONTAINERS	WASTE & RECYCLING	SPECIALTY USES	EMERGENCY & MISCELLANEOUS
Utility Service Body	Dumpster Transporter	Septic Tank Vacuum Body	Mobile Office	Emergency Electric Generator
Auto/Truck Retrieval Flatbed	Scrap Steel Container	Refuse Container	Concession Stand	Emergency Electric Transformer
Water Main Relining Body	Cable Reel Transport Body	6-8 Cu.yd. Side-Load Packer	Portable Skating Rink	Disaster Command Center
Pipe Repair Utility Body	Water Tanker Body	Rear-loader Packer	Freezer Drop Box for Sweepers	Confined Space Access Body
Sign/Guardrail Maintenance	Stationary Compactor Container	Wastewater Skimmings Container	Field Lube Body	Mobile Testing Laboratory
Field Lube Body	Hopper Salt Spreader	Recycle Container	Tub Shredder Body	Leaf Vacuum Body
Berming Machine Body	Stake Body	Waste Water Sludge Body	Mobile Concrete Mixer Body	Pothole Patcher
Snow Melting Body	Flatbed with Aerial Bucket	Catch Basin Cleaner	Paint Striper	Street Flusher Tanker Body
Asphalt Distributor Tanker	Hydraulic Wrecker		Weed Sprayer Body	Hazmat Body
Chipper Body			Mosquito Sprayer Body	Underground Video Body



209 E. North Street, Poynette, WI, 53955
 Phone: 608-635-7228
 info@poynetteironworks.com

TRUCK EQUIPMENT

SOURCING FROM HIGH-QUALITY MANUFACTURERS

TARPS & TARPING SYSTEMS



TOOL BOXES & FENDERS



209 E. North Street, Poynette, WI, 53955
Phone: 608-635-7228
info@poynetteironworks.com

TESTIMONIAL

POYNETTE IRONWORKS IS CONTRIBUTING TO THE EFFORTS OF SCIENCE & EXPERIMENTATION IN EXTREME WEATHER CONDITIONS IN ANTARCTICA!

GREETINGS FROM ANTARCTICA-

“All is well here. The economic slowdown has not affected us. In fact we are busier now because the stimulus money funded some new projects. On 8/31 we loaded two semi trucks with cargo bound for Antarctica. I will be leaving the first week of November this year. **The Ice Box Chip Hopper & Container Lids** held up great last season. The crew will be arriving in the Divide in a few weeks. Winters in the Divide are windy with temps. dipping to **-60°F.**”

“We met our goal this season of drilling through the brittle ice zone! The ice in this zone is so brittle, that it has to sit and relax for one year in a basement beneath the building. Before it can be shipped, back to the states, or it will crumble and be useless for science.
“

“**The Chip Hopper worked great!** During 24 hour operation it needed to be dumped every third day, which is what I was shooting for. The equipment operators said **it was easy to handle and worked much better than the system we had last season. This is a quality piece that has been admired by many.**”



209 E. North Street, Poynette, WI, 53955
Phone: 608-635-7228
info@poynetteironworks.com

PAINT COLOR OPTIONS

SOURCED FROM HIS PAINT COMPANY



CUSTOM COLORS AVAILABLE UPON REQUEST



43-1612C
WHITE



43-2665B
BLACK



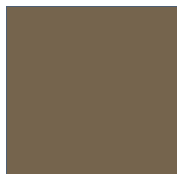
43-31317A
TAYLOR
GRAY



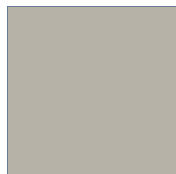
43-31334A
BATTLESHIP
GRAY



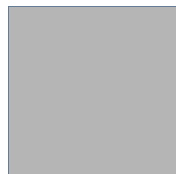
43-31415A
CHROME
SILVER



43-31442A
DARK GRAY



43-31564
LIGHT GRAY



43-31639 P1003
SILVER GRAY



43-31640
TOTAL GRAY



43-31891
ADVANCED
BLUE-GRAY



43-41172A
LAIDLAW
BLUE



43-41283B
REGAL
BLUE



43-41284A
POYNETTE
BLUE



43-41355A
N.S. BLUE



43-41391A 15793
HAPPY BLUE
METALLIC



43-41428B
ALLIED BLUE



43-41478
PURPLE



43-41484
CHICAGO
LIGHT BLUE



43-41493
WEST CENTRAL
BLUE



43-41571
PMS# 281 BLUE



43-41603
BLUE C



43-4899C #114
MACK TRUCK
BLUE



43-51299C
WM GREEN



43-51300C
VEOLIA GREEN



43-51367A ARC
DARK GREEN



209 E. North Street, Poynette, WI, 53955

Phone: 608-635-7228

info@poynetteironworks.com

PAINT COLOR OPTIONS

SOURCED FROM HIS PAINT COMPANY



CUSTOM COLORS AVAILABLE UPON REQUEST



43-51370B
VALLEY
GREEN



43-51726
ATOMIC
GREEN



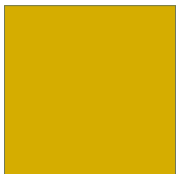
43-51745 JOHN
DEERE GREEN



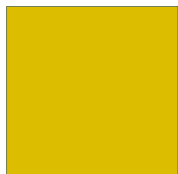
43-51981
LIME
GREEN



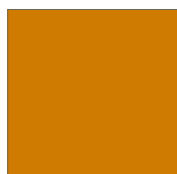
43-61773A
ALLIS ORANGE
LEAD FREE



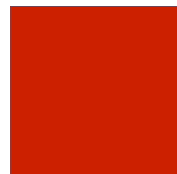
43-61849A
ADVANCED
YELLOW



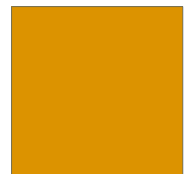
43-61858A
SERVICEMASTER
YELLOW



43-62013A
VAN
YELLOW



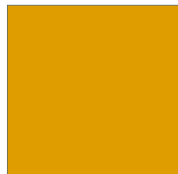
43-62018A
KUBOTA
ORANGE



43-62170A 81998
MACK TRUCK
YELLOW



43-62181A
F85EC700
CONTAINER ORANGE



43-62297
L2588H
YELLOW



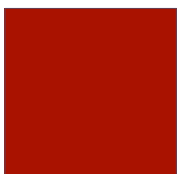
43-7784 #0472
BENGAL TAN



43-7889
SANITECH
ALMOND



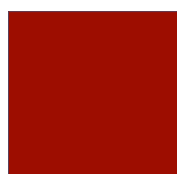
43-81171D
BURGUNDY



43-81303C
RED



43-81474A
SHORELINE
RED



43-81549
MACHINE
RED



43-81156
BRIGHT
RED



43-9331C
#102
WALNUT



43-9652A
VAN BROWN



43-9670
ACE
BROWN

WARRANTY

**POYNETTE IRON WORKS, LLC.
STEEL CONTAINERS
LIMITED WARRANTY**



POYNETTE IRON WORKS, LLC. warrants only products of its manufacture against operational failure caused by defective material or workmanship, **WHICH OCCURS DURING NORMAL USE FOR A PERIOD OF 12 MONTHS FROM DATE OF SHIPMENT FROM OUR FACTORY.**

POYNETTE IRON WORKS, LLC. will replace all parts of our manufacture free of charge that our inspection at our factory shows to us to be defective in accordance with the above paragraph. **WRITTEN PERMISSION MUST BE OBTAINED FROM AUTHORIZED POYNETTE PERSONNEL FOR ANY REPAIRS PERFORMED OTHER THAN IN OUR FACTORY.** All claims for reimbursement must be filed with proper documentation no later than forty-five (45) days after occurrence to be allowed.

All products purchased by **POYNETTE IRON WORKS, LLC.** from an outside vendor shall be covered by the warranty of that respective vendor only. **POYNETTE IRON WORKS, LLC.** does not participate in or obligate itself to any such warranty.

NO FREIGHT, TRAVEL COST, MEALS, OR LODGING SHALL BE COVERED BY THIS WARRANTY. All labor costs allowed shall be in accordance with **POYNETTE IRON WORKS, LLC.** established rate. In case of alleged defect, product shall be returned to **POYNETTE IRON WORKS, LLC.** with transportation charges prepaid.

POYNETTE IRON WORKS, LLC. makes no warranty on any of its equipment used in any way except as it was designed, intended, and sold to perform.

This limited warranty is expressly in lieu of all other warranties, expressed or implied and of all other obligations or liabilities on the part of **POYNETTE IRON WORKS, LLC.** and it neither assures nor authorizes any other person to assure for it any other liability.

POYNETTE IRON WORKS, LLC. does not assume any liability for loss of products, time, or any other consequential damages.

All claims shall be processed through your **POYNETTE IRON WORKS, LLC.** authorized dealer.



209 E. North Street, Poynette, WI, 53955
Phone: 608-635-7228
info@poynetteironworks.com