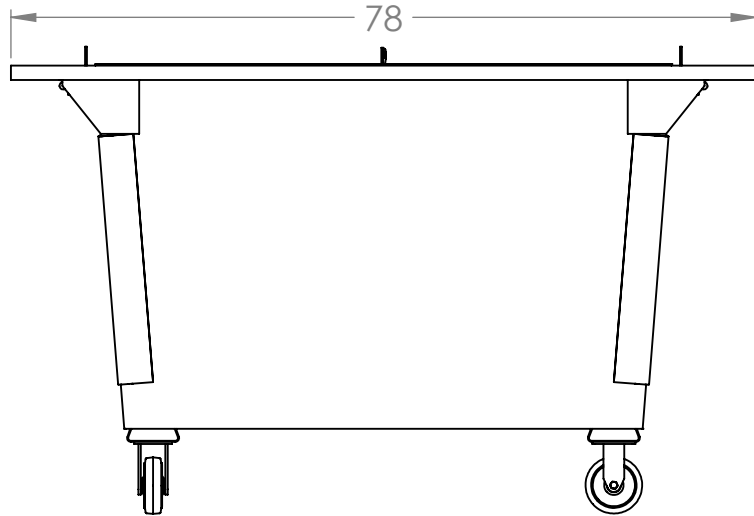
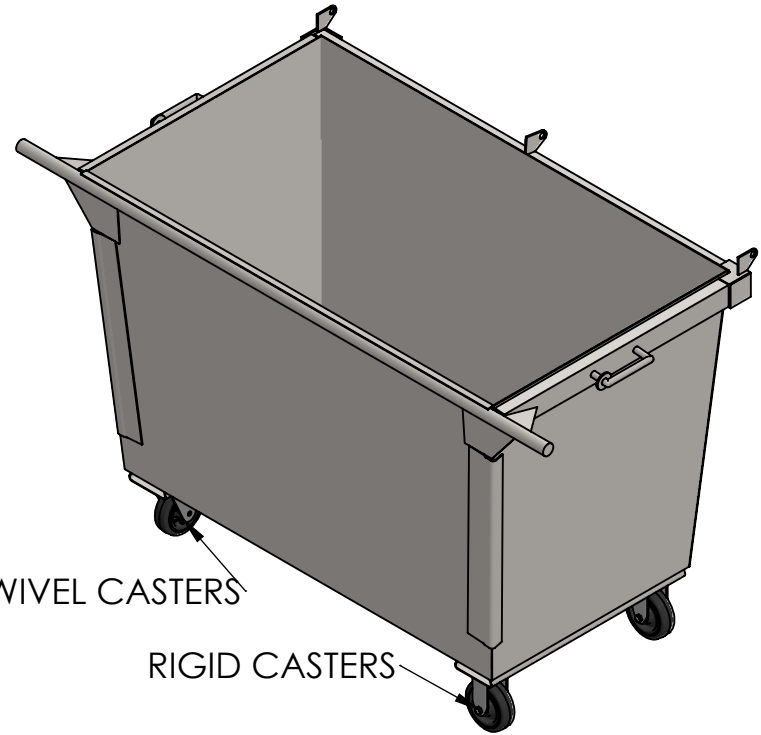
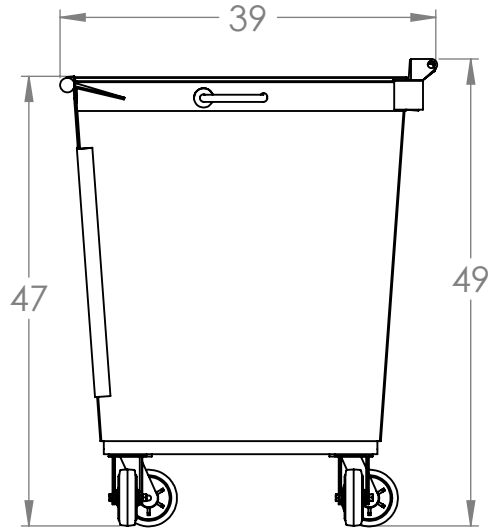


2

1

B

B



A

A

### POYNETTE IRONWORKS

<b>PROPRIETARY AND CONFIDENTIAL</b>		TITLE:	
THE INFORMATION CONTAINED IN THIS DRAWING IS THE SOLE PROPERTY OF POYNETTE IRONWORKS. ANY REPRODUCTION IN PART OR AS A WHOLE WITHOUT THE WRITTEN PERMISSION OF POYNETTE IRONWORKS IS PROHIBITED.		UNLESS OTHERWISE SPECIFIED:	
DIMENSIONS ARE IN INCHES		PART NO:	
TOLERANCES:		1.5 RLST	
FRACTIONAL ±1/2		SIZE	
WEIGHT ±5%		A	
MATERIAL		DESIGNED BY:	
		DATE: 3/25/2020	
		REV -	
		SCALE: 1:20 WEIGHT: 380	
		SHEET 1 OF 1	

2

1